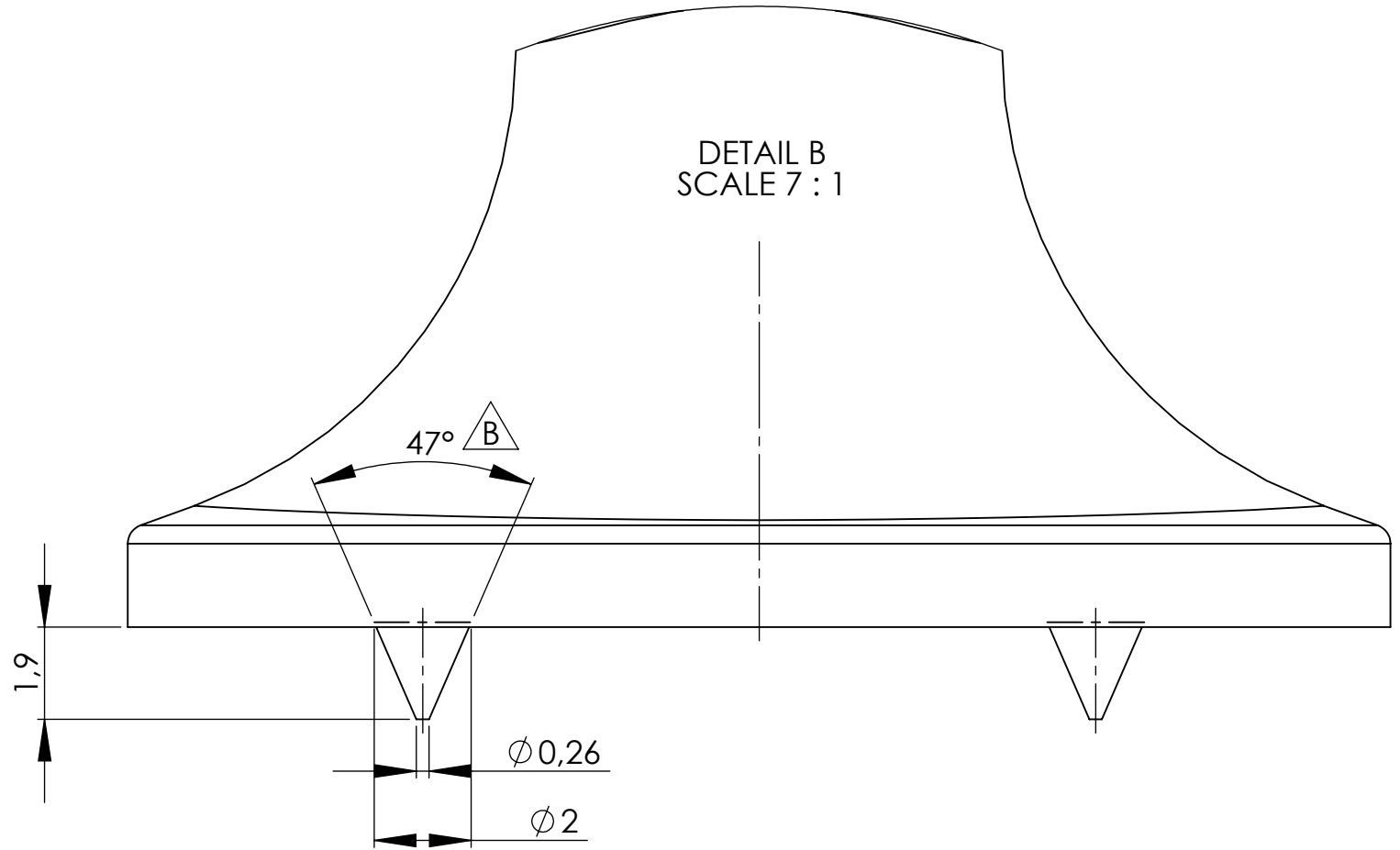
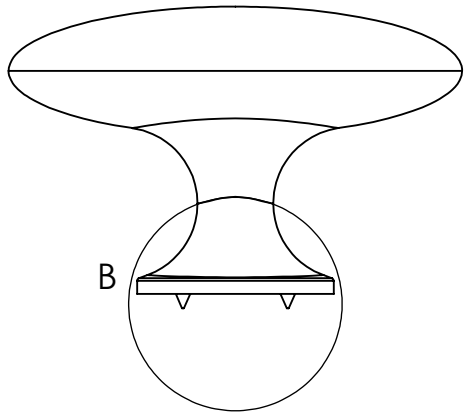


Part name: OVAL SIMPLE WITH PINS	Projection: 	Sheet format: A4	Tolerance unless otherwise specified DS/ISO 2768-1M						
Customer:	Drawn by: ps date 23. maj 2014	Scale: 1:1	Linear dimensions:						
Part no.: 525060060-xx-P.1	Page 1 of 2		0-3	3-6	6-30	30-120	120-400	400-1000	1000-2000
Material: Zinc	Weight: 152,89 grams		± 0.1	± 0.1	± 0.2	± 0.3	± 0.5	± 0.8	± 1.2
			Angle		Radius				
			± 0.5°		± 5%				
		furnipart®		Delta 2		Phone: +45 87 64 35 00			
				DK-8382 Hinnerup		Fax: +45 87 64 35 01			

Rev.:	Date:	Name:	Description:
B	23-05-2014	PS	Dimension 47° added on pins
A	25-03-2014	PS	Position of pins updated



Part name: OVAL SIMPLE WITH PINS	Projection: 	Sheet format: A4	Tolerance unless otherwise specified DS/ISO 2768-1M																			
Customer:	Drawn by: ps date 23. maj 2014	Scale: 1:1	<table border="1"> <tr> <td>Linear dimensions:</td> <td>0-3</td> <td>3-6</td> <td>6-30</td> <td>30-120</td> <td>120-400</td> <td>400-1000</td> <td>1000-2000</td> </tr> <tr> <td></td> <td>± 0.1</td> <td>± 0.1</td> <td>± 0.2</td> <td>± 0.3</td> <td>± 0.5</td> <td>± 0.8</td> <td>± 1.2</td> </tr> </table>				Linear dimensions:	0-3	3-6	6-30	30-120	120-400	400-1000	1000-2000		± 0.1	± 0.1	± 0.2	± 0.3	± 0.5	± 0.8	± 1.2
Linear dimensions:	0-3	3-6	6-30	30-120	120-400	400-1000	1000-2000															
	± 0.1	± 0.1	± 0.2	± 0.3	± 0.5	± 0.8	± 1.2															
Part no.: 525060060-xx-P.1	Page 2 of 2		Angle	Radius																		
Material: Zinc	Weight: 152,89 grams		± 0.5°	± 5%																		
				Delta 2 Phone: +45 87 64 35 00 DK-8382 Hinnerup Fax: +45 87 64 35 01																		

Rev.:	Date:	Name:	Description:
B	23-05-2014	PS	Dimension 47° added on pins
A	25-03-2014	PS	Position of pins updated